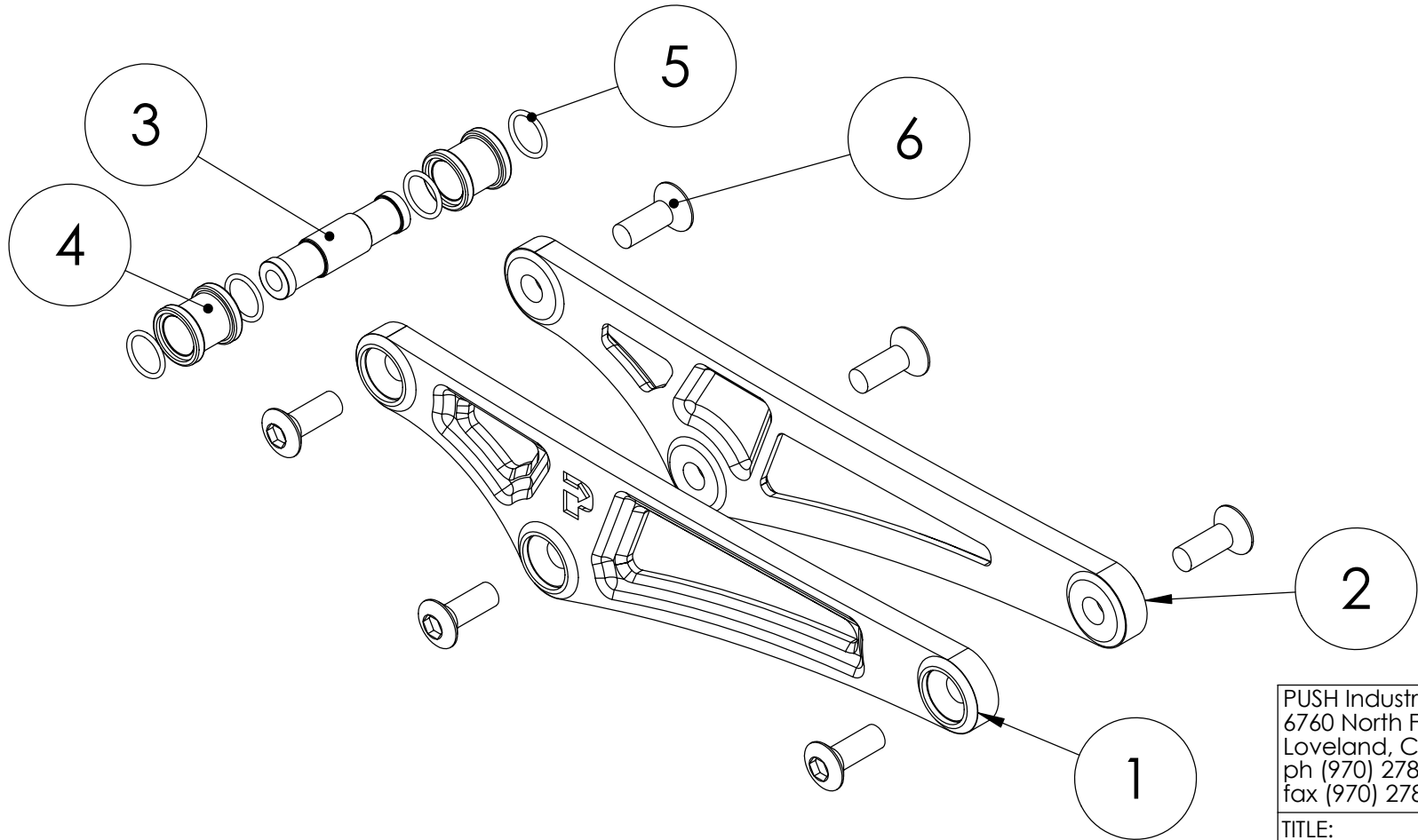


ITEM NO.	PART NUMBER	DESCRIPTION	QTY.
1	TB-5SL-100-01	Left Rocker Plate	1
2	TB-5SR-200-01	Right Rocker Plate	1
3	TB-5SPS-500-01	Upper Mounting Pin	1
4	TB-5SAP-100-01	2.02" Pin Spacer	2
5	O-014-B70-A	70 Duro -014 O-Ring	4
6	TB-8-25-01	8mm Ti Fastener	6
6	TB-8-15-01-A	8mm x 1.25 Steel Fastener	6

Revisions			
Rev.	Description	Date	Approved
A	Production Release	8/18/04	



PUSH Industries
6760 North Franklin Ave
Loveland, CO 80538
ph (970) 278-1110
fax (970) 278-9450

TITLE:
5 Spot Rocker Kit

PROPRIETARY AND CONFIDENTIAL
THE INFORMATION CONTAINED IN THIS DRAWING IS THE SOLE PROPERTY OF Push Industries. ANY REPRODUCTION IN PART OR AS A WHOLE WITHOUT THE WRITTEN PERMISSION OF Push Industries IS PROHIBITED.

UNLESS OTHERWISE SPECIFIED:
DIMENSIONS ARE IN INCHES
TOLERANCES:
FRACTIONAL ±
ANGULAR: MACH ± BEND ±
TWO PLACE DECIMAL ±.005
THREE PLACE DECIMAL ±.002

MATERIAL
N/A
FINISH
N/A
DO NOT SCALE DRAWING

	NAME	DATE
DRAWN	DM	8/18/04
CHECKED		
ENG APPR.		

COMMENTS:

SIZE	DWG. NO.	REV
A	TB-5SR-575-01	A
SCALE: 1:2	<input checked="" type="checkbox"/>	SHEET 1 OF 1